



North American Headquarters  
 601 Rayovac Drive  
 Madison, WI 53711  
 Telephone 1-800-331-4522  
 Internet [www.rayovac.com](http://www.rayovac.com)

Marketing Data Sheet - Batteries

S6600148  
 Issue D  
 Memo No: [MDSR0104](#)

Rayovac Stock Number: **3AAA**

Name: **3AAA (AAA) HEAVY DUTY CARBON ZINC**

**ENGINEERING DATA:**

**Cell Chemistry:** Carbon Zinc

**Designation:** ANSI/NEDA – 24D (AAA), IEC – R03

**Nominal Voltage:** 1.5 volts

**Approximate Weight:** .3 Oz (9 grams)

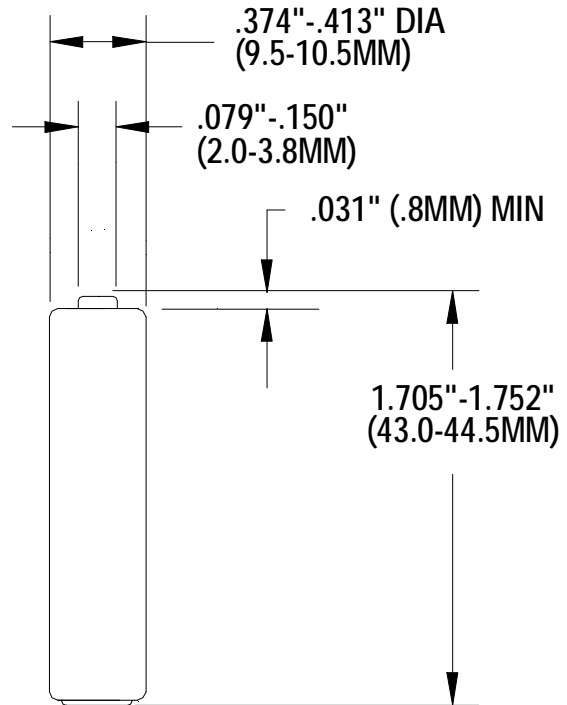
**Approximate Volume:** .2 CU IN (3.3 CU CM)

**Operating Temp. Range:** -30° C to 55° C (-20° F to 130° F)

**Terminals:** Flashlight

**Shell:** Plastic

**Environmental:** Meets Environmental Protection Agency (EPA) requirements For Landfill Disposal.  
 no Mercury Added Formulation  
[Rayovac Material Safety Data Sheets](#)



**TYPICAL INITIAL SERVICE AT 70°F (HOURS)  
CUTOFF VOLTAGE**

APPLICATION DUTY CYCLE	LOAD (OHMS)	CURRENT (MA at 1.2V)	CUTOFF VOLTAGE				mAh Capacity To 0.9V
			1.2V	1.1V	1.0V	0.9V	
RADIO (4 HRS/DAY)	75	16	23	29	31	33	550
CASSETTE (1 HR/DAY)	10	120	1.0	1.9	2.5	2.9	335
CASSETTE (CONTINUOUS)	10	120	.8	1.6	2.0	2.4	275
FLASHLIGHT (4 MIN/HR-8 HR/DAY)	5.1	235	.2	.7	1.3	1.7	350
PHOTO (15 SEC/MIN-24 HR/DAY)	3.6	333		200 PULSES			250

361404

**This data is subject to change. Performance information is typical. Contents herein do not constitute a warranty.**