



World Headquarters  
601 Rayovac Drive  
Madison, WI 53711  
Telephone 1-800-331-4522  
Internet [www.rayovac.com](http://www.rayovac.com)

Marketing Data Sheet - Batteries

S6600150  
Issue D  
Memo No: [MDSR0104](#)

Rayovac Stock Number: **HD-9V**

Name: **9 VOLT HEAVY DUTY INDUSTRIAL CARBON ZINC**

**ENGINEERING DATA:**

**Cell Chemistry:** Carbon Zinc

**Designation:** ANSI/NEDA – 1604CD , IEC – 6F22

**Nominal Voltage:** 1.5 volts

**Approximate Weight:** 1.5 Oz (42.5 grams)

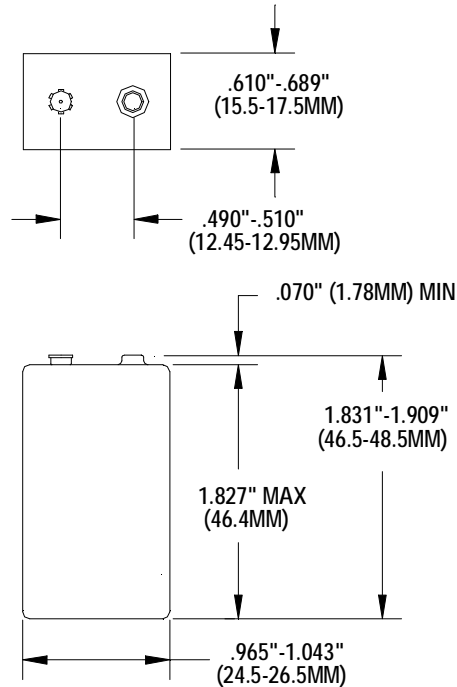
**Approximate Volume:** 1.2 CU IN (19.7 CU CM)

**Operating Temp. Range:** -30° C to 55° C (-20° F to 130° F)

**Terminals:** Snap

**Jacket:** Steel

**Environmental:** Meets Environmental Protection Agency (EPA) Requirements For Landfill Disposal.  
No Mercury Added Formulation  
[Rayovac Material Safety Data Sheets](#)



**TYPICAL INITIAL SERVICE AT 70°F (HOURS)  
CUTOFF VOLTAGE**

APPLICATION DUTY CYCLE	LOAD (OHMS)	CURRENT (MA at 7.2V)	CUTOFF VOLTAGE					mAh CAPACITY To 4.8V
			7.2V	6.6V	6.0V	5.4V	4.8V	
RADIO (2 HR/DAY)	620	12	18.4	26.5	31.1	34.1	36.0	420
TOY/GAME (1 HR/DAY)	270	27	4.3	8.5	11.5	13.9	15.7	385
CALCULATOR (30 MIN/DAY)	180	40	1.3	3.8	5.5	6.9	8.4	300
SMOKE DETECTOR (ACCELERATED)	43K BACKGROUND WITH 620 OHM PULSE 1 SEC/HR		60 DAYS TO 7.5V					

538283

This data is subject to change. Performance information is typical. Contents herein do not constitute a warranty.