



World Headquarters  
601 Rayovac Drive  
Madison, WI 53711  
Telephone 1-800-331-4522  
Internet [www.rayovac.com](http://www.rayovac.com)

Marketing Data Sheet - Batteries

S6600147  
Issue D  
Memo No: [MDSR0104](#)

Rayovac Stock Number: **HD-AA**

Name: **HD-AA (AA) HEAVY DUTY INDUSTRIAL CARBON ZINC**

ENGINEERING DATA:

Cell Chemistry: Carbon Zinc

Designation: ANSI/NEDA – 15DC (AA), IEC – R6

Nominal Voltage: 1.5 volts

Approximate Weight: .65 Oz (18.4 grams)

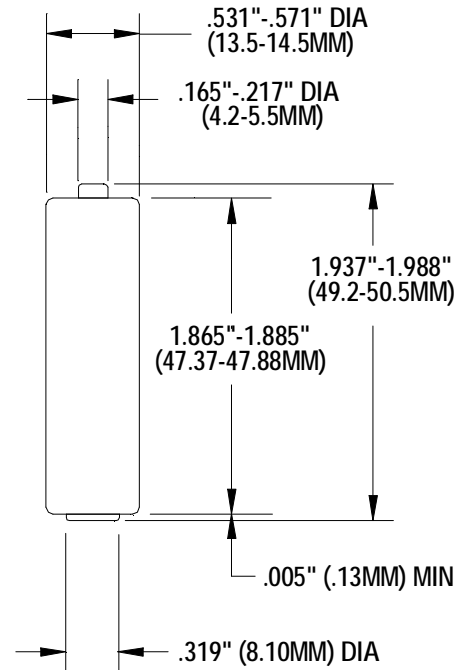
Approximate Volume: .48 CU IN (7.87 CU CM)

Operating Temp. Range: -30° C to 55° C (-20° F to 130° F)

Terminals: Flashlight

Shell: Steel

Environmental: Meets Environmental Protection Agency (EPA) Requirements For Landfill Disposal.  
No Mercury Added Formulation  
[Rayovac Material Safety Data Sheets](#)



TYPICAL INITIAL SERVICE AT 70°F (HOURS)  
CUTOFF VOLTAGE

APPLICATION DUTY CYCLE	LOAD (OHMS)	CURRENT (MA at 1.2V)	CUTOFF VOLTAGE					mAh CAPACITY To 0.9V
			1.2V	1.1V	1.0V	0.9V	0.8V	
RADIO (4 HRS/DAY)	43	28	27	32	35	36	-	1,070
CASSETTE (1 HR/DAY)	10	120	3.6	5.6	6.8	7.7	-	900
TOY/GAME (1 HR/DAY)	3.9	256	0.4	0.9	1.6	1.9	2.5	690
PHOTO (15 SEC/MIN-24 HR/DAY)	1.8	667			191 PULSES			460

538234

This data is subject to change. Performance information is typical. Contents herein do not constitute a warranty.