



World Headquarters  
601 Rayovac Drive  
Madison, WI 53711  
Telephone 1-800-331-4522  
Internet [www.rayovac.com](http://www.rayovac.com)

Marketing Data Sheet - Batteries  
S6600189  
Issue S  
Memo No: 20389

Rayovac Stock Number: 903

Name: 903 HEAVY DUTY CARBON ZINC

**ENGINEERING DATA:**

**Cell Chemistry:** Carbon Zinc

**Designation:** ANSI/NEDA – 903

**Nominal Voltage:** 7.5 volts

**Approximate Weight:** 7.0 Lb (3.18 Kg)

**Approximate Volume:** 186 CU IN (3048 CU CM)

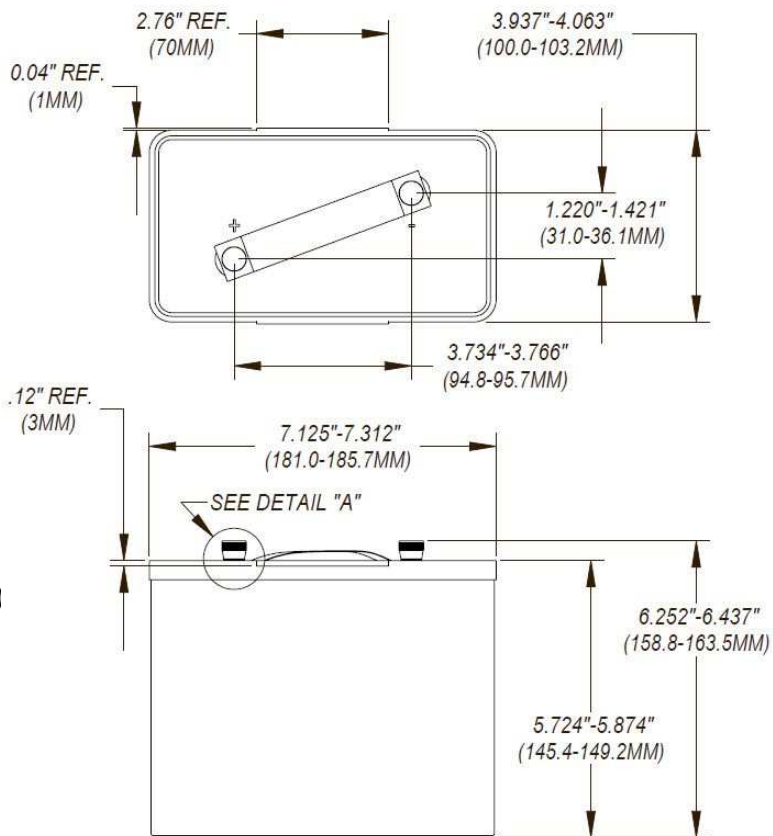
**Operating Temp. Range:** -30° C to 55° C (-20° F to 130° F)

**Terminals:** Screw

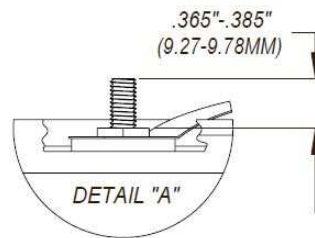
**Shell:** Plastic

**Number Of Cells:** 20

**Environmental:** Meets Environmental Protection Agency (EPA) Requirements For Landfill Disposal. No Mercury Added Formulation  
[Rayovac Material Safety Data Sheets](#)



Dimensions shown are ANSI / IEC standards



**TYPICAL INITIAL SERVICE AT 70°F (HOURS)  
CUTOFF VOLTAGE**

APPLICATION DUTY CYCLE	LOAD (OHMS)	CURRENT (AMPS AT 6V)	CUTOFF VOLTAGE				mAh CAPACITY To 4.5V
			6.0V	5.5V	5.0V	4.5V	
PORTABLE LIGHT (30 MIN/HR-8 HR/DAY)	2.7	2.22	1.5	5.0	8.5	11.3	23,000
HIGH RATE RATING (24 HR/DAY)	2.7	2.22	1.4	4.5	7.0	10.0	20,000

This data is subject to change. Performance information is typical. Contents herein do not constitute a warranty.