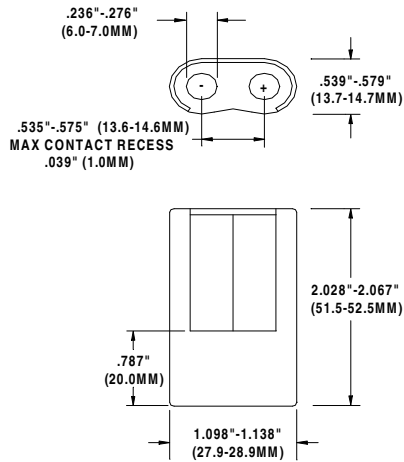


Dimensions:

(ANSI / IEC Standards)



DIMENSIONS	
MM	INCHES
6.0	0.236
7.0	0.276
13.7	0.539
14.7	0.579
13.6	0.535
14.6	0.575
20	0.787
27.9	1.098
28.9	1.138
51.5	2.028
52.5	2.067

Engineering Data:

Cell Chemistry:	Lithium/Manganese Dioxide (CR)
Designation:	ANSI/NEDA-5047LC
Nominal Voltage:	3.0 V
Maximum off-load voltage:	3.7 V
Approximate Weight:	39 g.
Approximate Volume:	22.3 CU CM
Nominal Capacity:	3700mAh (200 Ohm Cont. to 2.0V @ 20°C)
Operating Temp. Range:	-20°C to 60°C
Storage Temperature Range:	-20°C to 45°C
Terminals:	Flat Contact
Shell:	Plastic

Typical Service (@ 20°C):

Application:	Load	Load Unit	Duty Cycle	Daily Cycle	EPV	ANSI Min. Ave. Duration	Actual
Rating:	100	Ohms		24 h	2.0	100 Hours	128 Hours
Photo	3000/1300	mW	2s/28s:5min55min	24 h	2.1	400 Pulses	726 Pulses

Environmental: Meets Environmental Protection Agency (EPA) Requirements for landfill disposal. No Mercury Added Formulation.