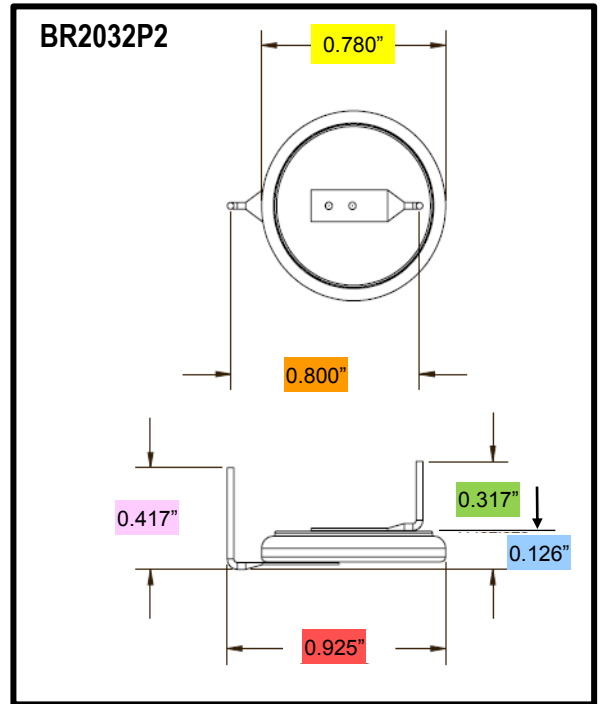
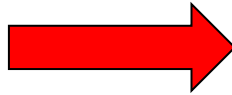
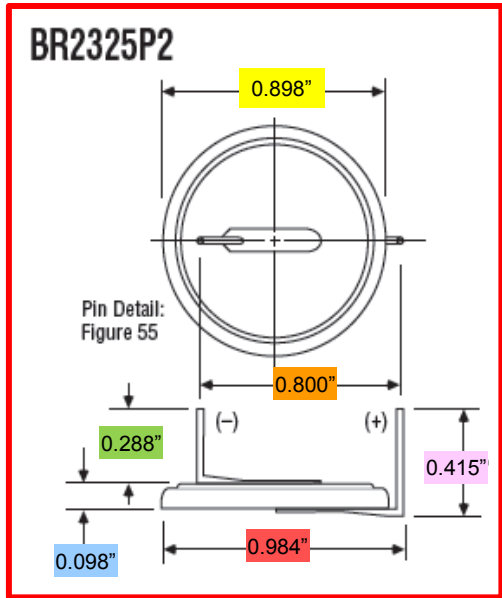


BR2325P2-BA Replacement Options

TO BE DISCONTINUED JULY 1ST, 2010

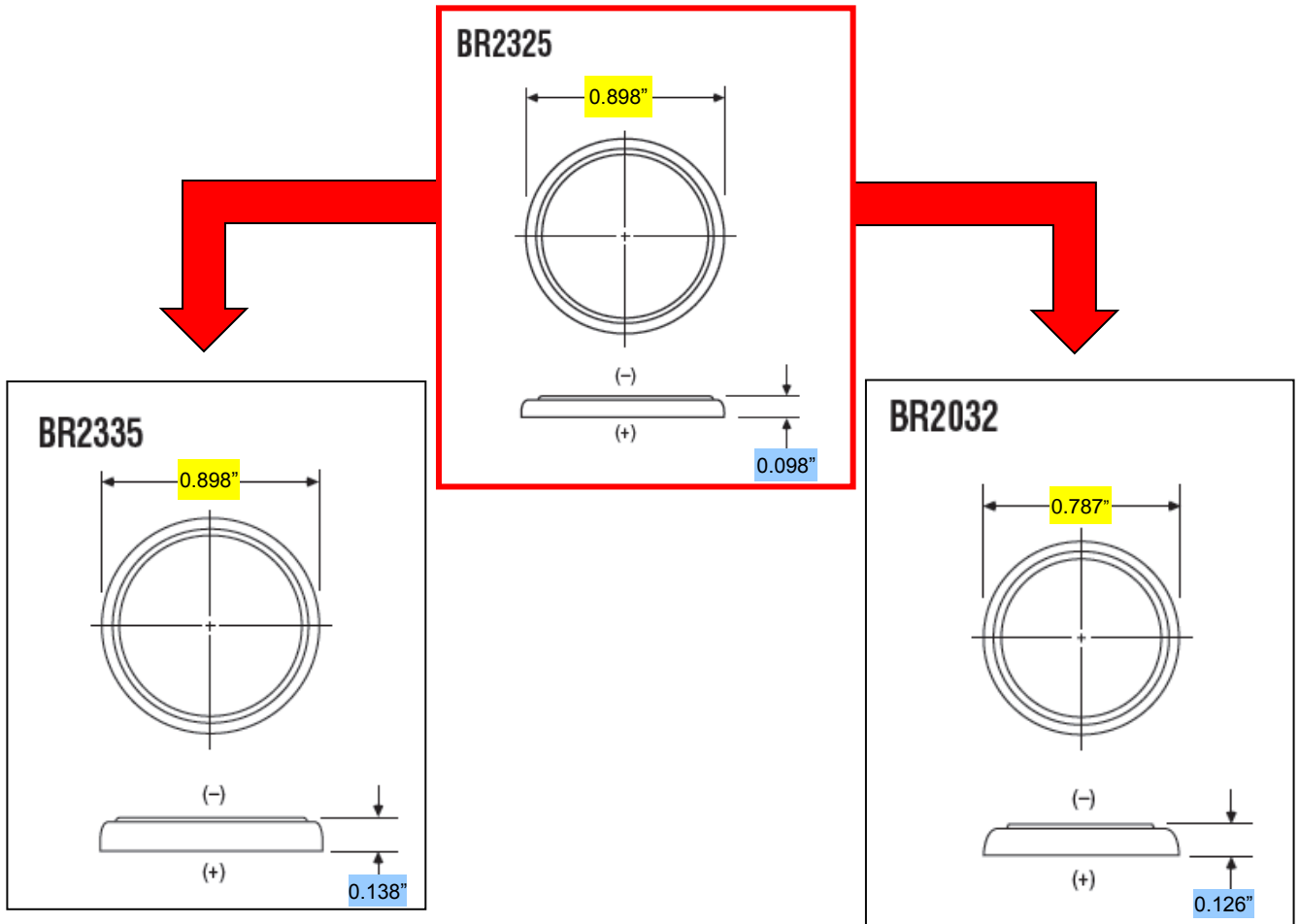


| | Discontinued Part | Replacement Option |
|-------------|-------------------|--------------------|
| | BR2325P2 | BR2032P2 |
| Capacity | 180 mAh | 195 mAh |
| Dimension 1 | 0.898" | 0.780" |
| Dimension 2 | 0.098" | 0.126" |
| Dimension 3 | 0.288" | 0.317" |
| Dimension 4 | 0.415" | 0.417" |
| Dimension 5 | 0.984" | 0.925" |
| Dimension 6 | 0.800" | 0.800" |

- Contact Rayovac OEM Engineering for a compatible replacement part and device design assistance by email oem@rayovac.com or phone 608-275-4492

BR2325-BA Replacement Options

TO BE DISCONTINUED JULY 1ST, 2010

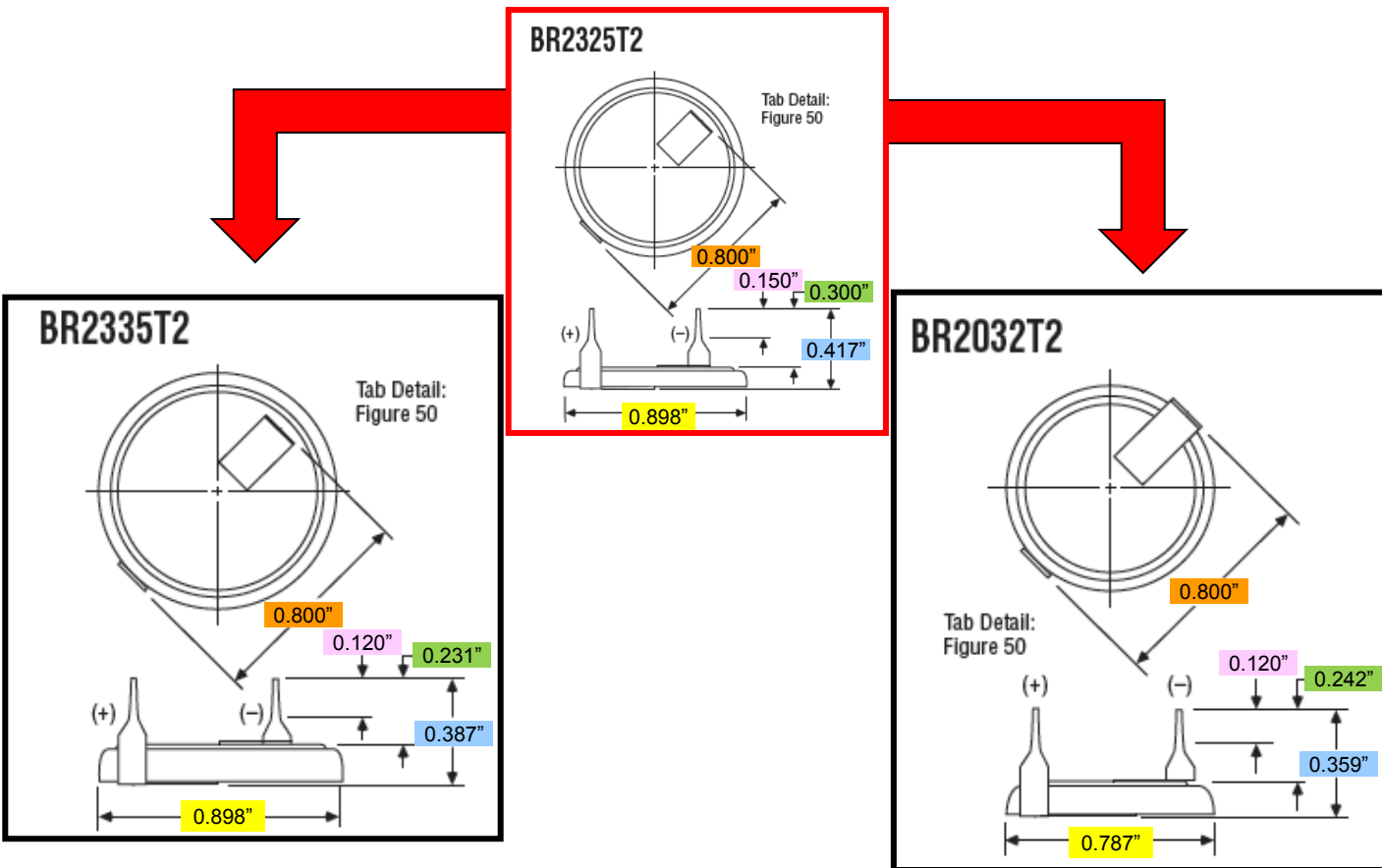


| | Discontinued Part | Replacement Option | Replacement Option |
|-------------|-------------------|--------------------|--------------------|
| | BR2325 | BR2335 | BR2032 |
| Capacity | 180 mAh | 300 mAh | 195 mAh |
| Dimension 1 | 0.898" | 0.898" | 0.797" |
| Dimension 2 | 0.098" | 0.138" | 0.126" |

- Contact Rayovac OEM Engineering for a compatible replacement part and device design assistance by email oem@rayovac.com or phone 608-275-4492

BR2325T2-BA Replacement Options

TO BE DISCONTINUED JULY 1ST, 2010

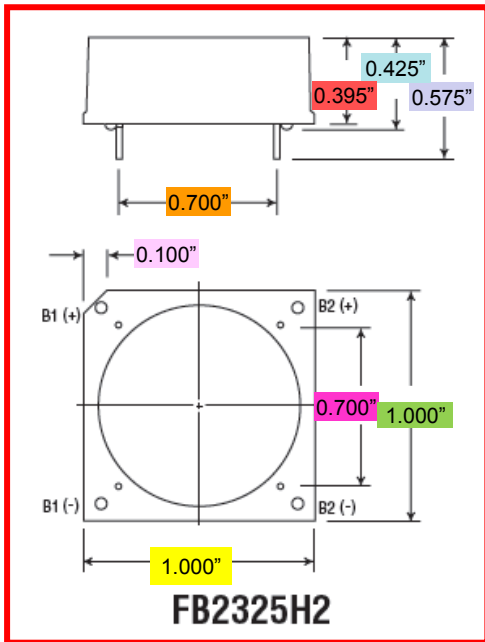


| | Discontinued Part | Replacement Option | Replacement Option |
|-------------|-------------------|--------------------|--------------------|
| | BR2325T2 | BR2335T2 | BR2032T2 |
| Capacity | 180 mAh | 300 mAh | 195 mAh |
| Dimension 1 | 0.898" | 0.898" | 0.787" |
| Dimension 2 | 0.417" | 0.387" | 0.359" |
| Dimension 3 | 0.300" | 0.231" | 0.242" |
| Dimension 4 | 0.150" | 0.120" | 0.120" |
| Dimension 5 | 0.800" | 0.800" | 0.800" |

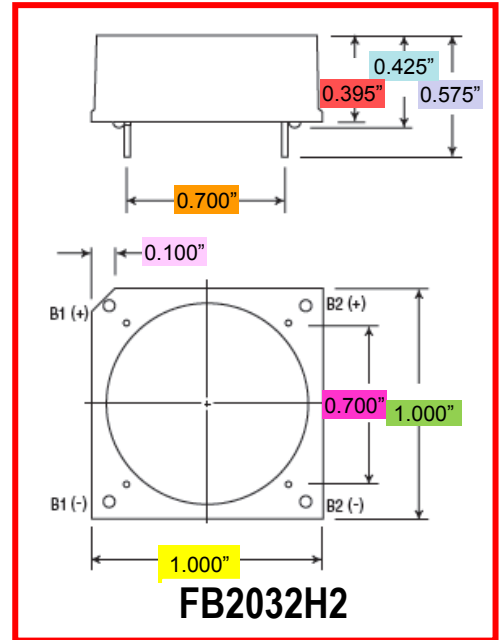
- Contact Rayovac OEM Engineering for a compatible replacement part and device design assistance by email oem@rayovac.com or phone 608-275-4492

FB2325H2-B Flex Battery Replacement Options

TO BE DISCONTINUED JULY 1ST, 2010



IDENTICAL
DIMENSIONS

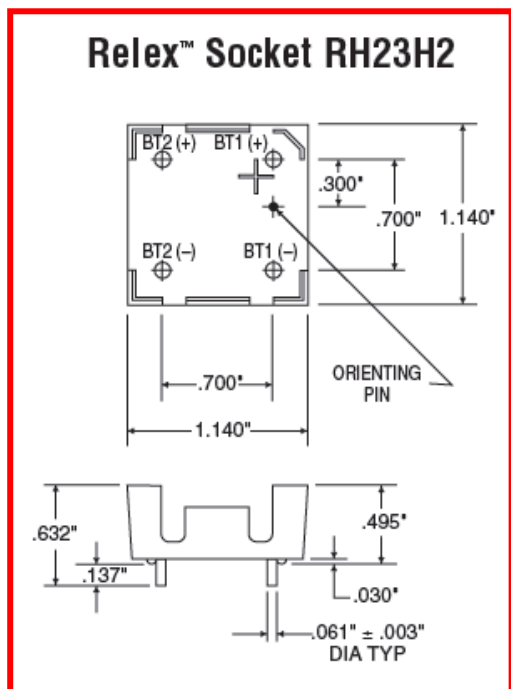


| | Discontinued Part | Replacement Option |
|-------------------|-------------------|--------------------|
| | FB2325H2 | FB2032H2 |
| Parallel Capacity | 360 mAh | 390 mAh |
| Series Capacity | 180 mAh | 195 mAh |
| Dimension 1 | 1.000" | 1.000" |
| Dimension 2 | 0.700" | 0.700" |
| Dimension 3 | 1.000" | 1.000" |
| Dimension 4 | 0.100" | 0.100" |
| Dimension 5 | 0.700" | 0.700" |
| Dimension 6 | 0.395" | 0.395" |
| Dimension 7 | 0.425" | 0.425" |
| Dimension 8 | 0.575" | 0.575" |

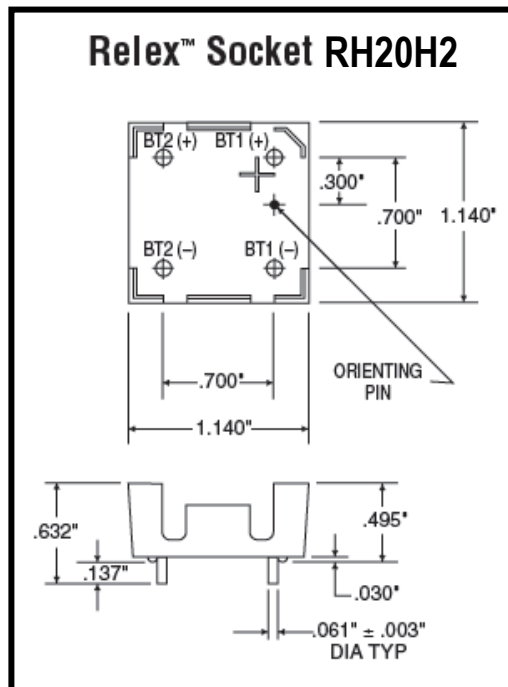
- Contact Rayovac OEM Engineering for a compatible replacement part and device design assistance by email oem@rayovac.com or phone 608-275-4492

RH23H2-B Relex Socket Replacement Options

TO BE DISCONTINUED JULY 1ST, 2010



IDENTICAL
DIMENSIONS



| | Discontinued Part | Replacement Option |
|------------|-------------------|--------------------|
| | RH23H2 | RH20H2 |
| Dimensions | Identical | Identical |

- Contact Rayovac OEM Engineering for a compatible replacement part and device design assistance by email oem@rayovac.com or phone 608-275-4492