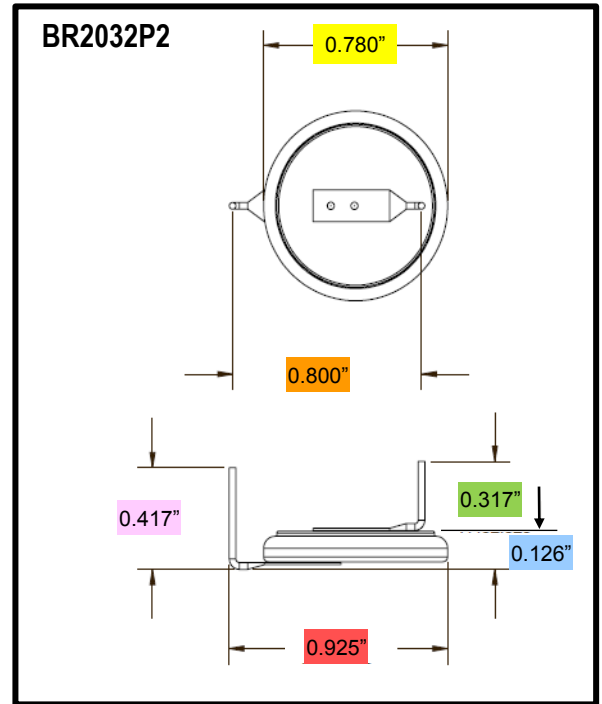
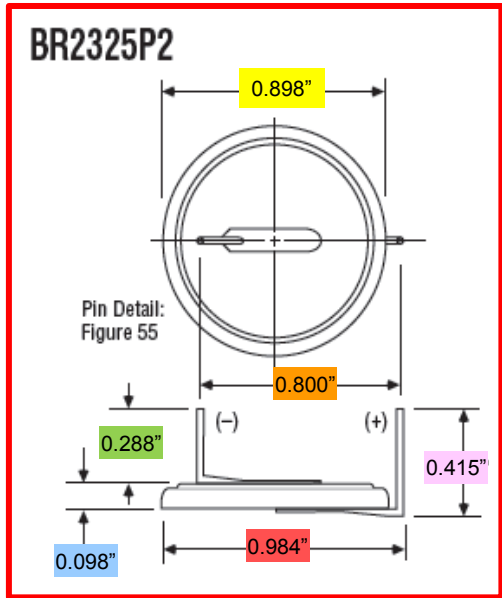


BR2325P2-BA Replacement Options

TO BE DISCONTINUED JULY 1ST, 2010

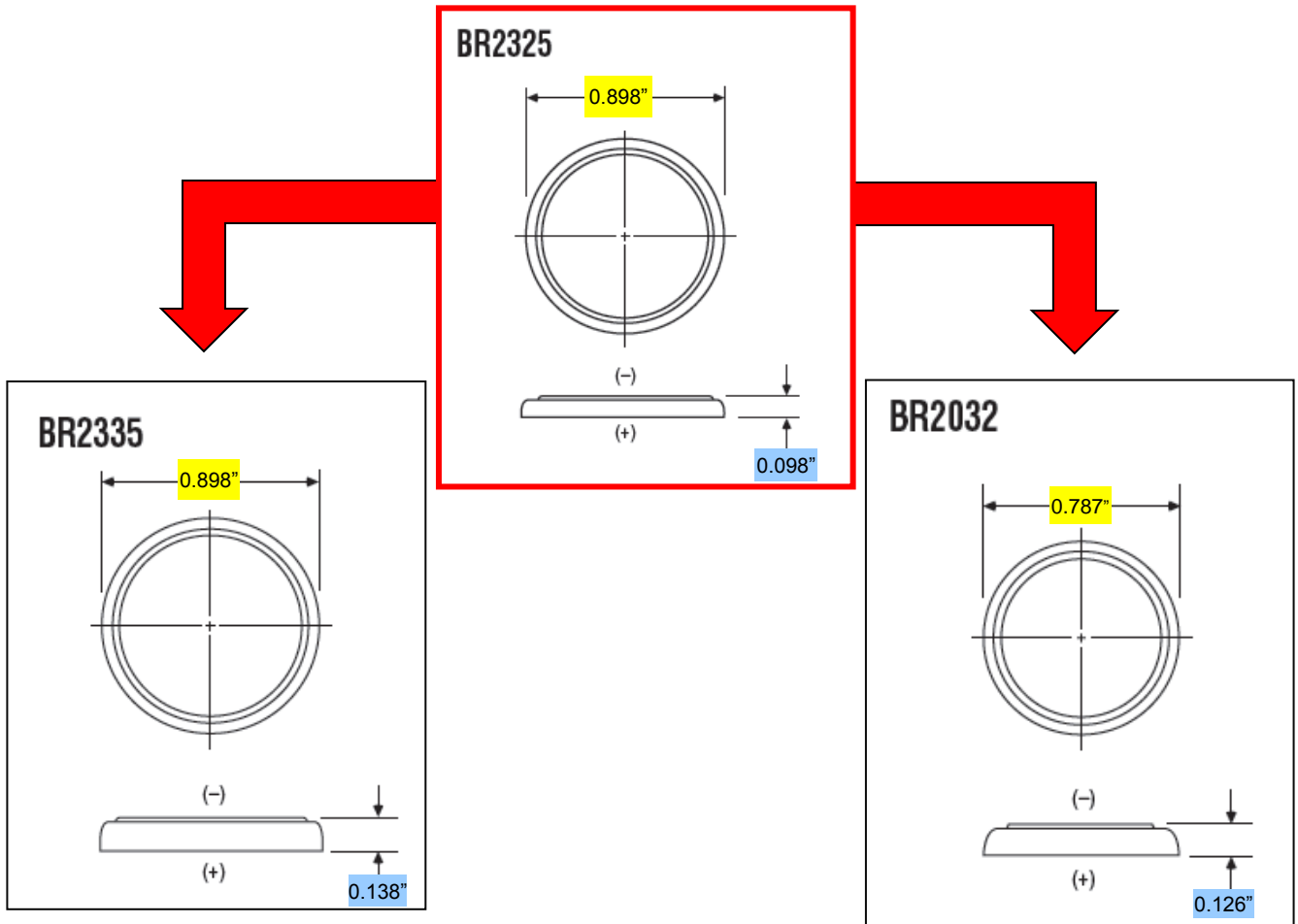


	Discontinued Part	Replacement Option
	BR2325P2	BR2032P2
Capacity	180 mAh	195 mAh
Dimension 1	0.898"	0.780"
Dimension 2	0.098"	0.126"
Dimension 3	0.288"	0.317"
Dimension 4	0.415"	0.417"
Dimension 5	0.984"	0.925"
Dimension 6	0.800"	0.800"

- Contact Rayovac OEM Engineering for a compatible replacement part and device design assistance by email oem@rayovac.com or phone 608-275-4694

BR2325-BA Replacement Options

TO BE DISCONTINUED JULY 1ST, 2010

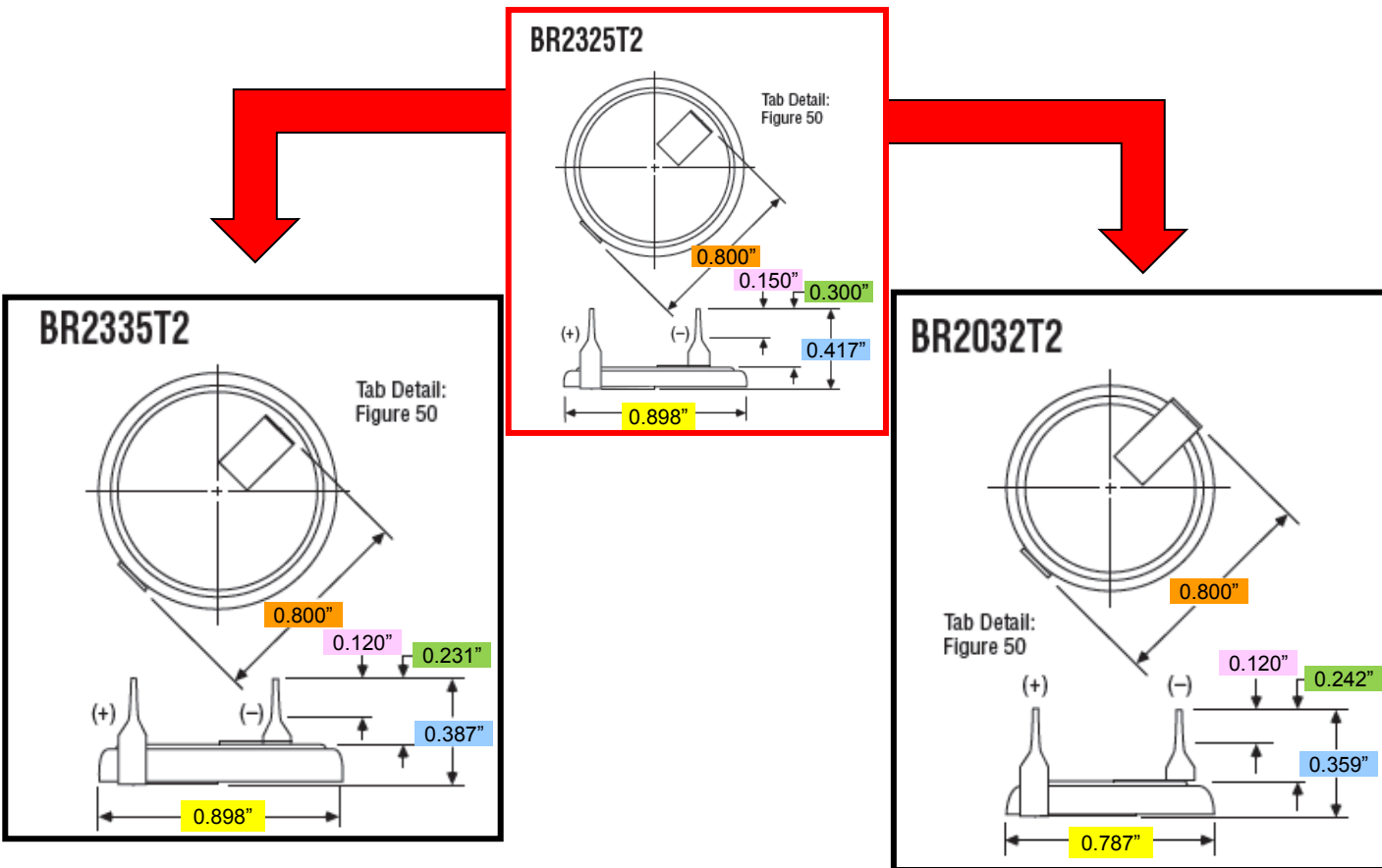


	Discontinued Part	Replacement Option	Replacement Option
	BR2325	BR2335	BR2032
Capacity	180 mAh	300 mAh	195 mAh
Dimension 1	0.898"	0.898"	0.797"
Dimension 2	0.098"	0.138"	0.126"

- Contact Rayovac OEM Engineering for a compatible replacement part and device design assistance by email oem@rayovac.com or phone 608-275-4694

BR2325T2-BA Replacement Options

TO BE DISCONTINUED JULY 1ST, 2010

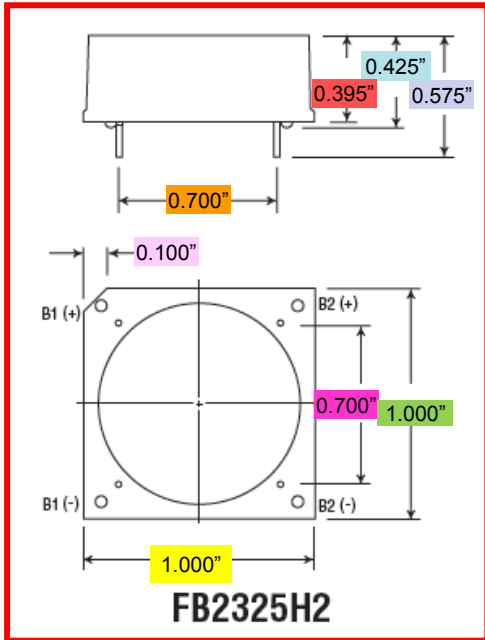


	Discontinued Part	Replacement Option	Replacement Option
	BR2325T2	BR2335T2	BR2032T2
Capacity	180 mAh	300 mAh	195 mAh
Dimension 1	0.898"	0.898"	0.787"
Dimension 2	0.417"	0.387"	0.359"
Dimension 3	0.300"	0.231"	0.242"
Dimension 4	0.150"	0.120"	0.120"
Dimension 5	0.800"	0.800"	0.800"

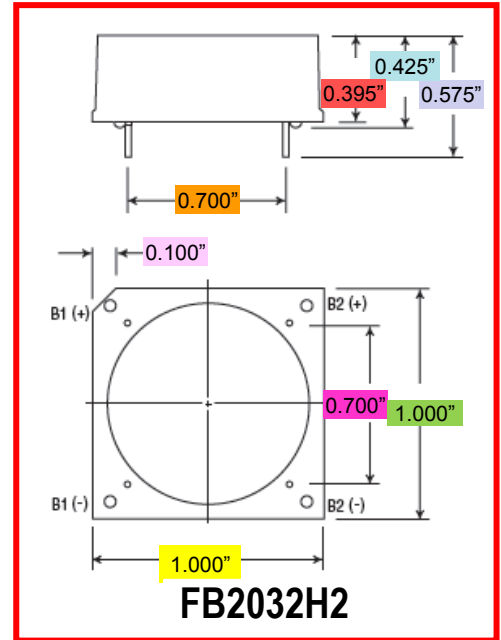
- Contact Rayovac OEM Engineering for a compatible replacement part and device design assistance by email oem@rayovac.com or phone 608-275-4694

FB2325H2-B Flex Battery Replacement Options

TO BE DISCONTINUED JULY 1ST, 2010



IDENTICAL
DIMENSIONS



	Discontinued Part	Replacement Option
	FB2325H2	FB2032H2
Parallel Capacity	360 mAh	390 mAh
Series Capacity	180 mAh	195 mAh
Dimension 1	1.000"	1.000"
Dimension 2	0.700"	0.700"
Dimension 3	1.000"	1.000"
Dimension 4	0.100"	0.100"
Dimension 5	0.700"	0.700"
Dimension 6	0.395"	0.395"
Dimension 7	0.425"	0.425"
Dimension 8	0.575"	0.575"

- Contact Rayovac OEM Engineering for a compatible replacement part and device design assistance by email oem@rayovac.com or phone 608-275-4694