

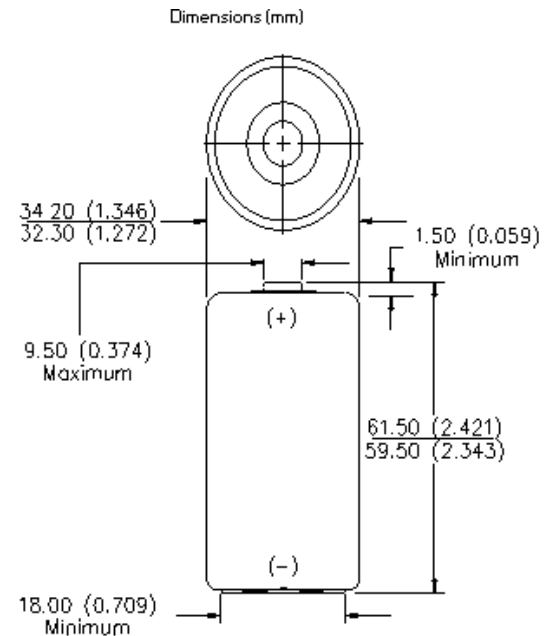


Rayovac Stock Number: **HD-D**
 Name: **HD-D (D) HEAVY DUTY CARBON ZINC**

Specifications

Cell Chemistry: Zinc- Manganese Dioxide (Zn/MnO₂)
Designation: ANSI/NEDA – 13D (D), IEC – R20
Nominal Voltage: 1.5 volts
Approximate Weight: 3.15 Oz (89.4grams)
Approximate Volume: 3.24 CU IN (53 CU CM)
Operating Temp. Range: -18° C to 55° C (0° F to 130° F)
Shelf Life: 3 years at 21°C
Terminals: Cap and base
Shell: Metal
Environmental: No mercury added formulation
 Meets Environmental Protection Agency (EPA) Requirements for landfill disposal
[Rayovac Material Safety Sheets](#)

ANSI / IEC Standard Dimensions



TYPICAL INITIAL SERVICE AT 70°F (HOURS)

Application and Duty Cycle	Discharge Load	Service
Toy/Game 1 hr./day	2.2 Ω	10.5 hrs.
Portable Stereo 2 hrs./day	600 mA	5.6 hrs.
Radio 4hrs./day	10 Ω	49.5 hrs.
Release 24 hrs./day	2.2 Ω	7.6 hrs.
Lighting/HIFT 4 min/15/min, 8 hrs./day	2.2 Ω	8.6 hrs.

